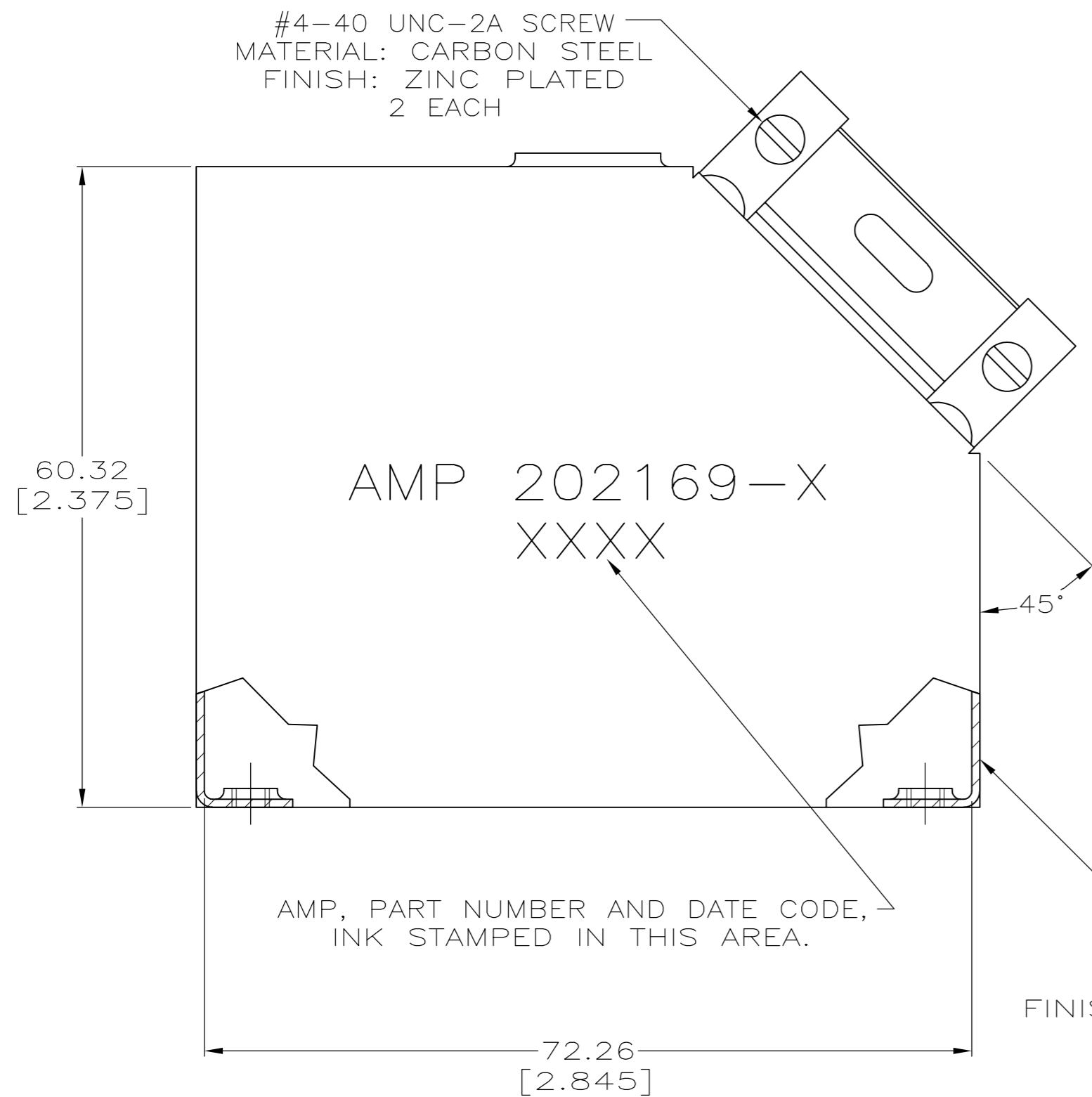


THIS DRAWING IS UNPUBLISHED. RELEASED FOR PUBLICATION
 © COPYRIGHT BY TYCO ELECTRONICS CORPORATION. ALL INTERNATIONAL RIGHTS RESERVED.

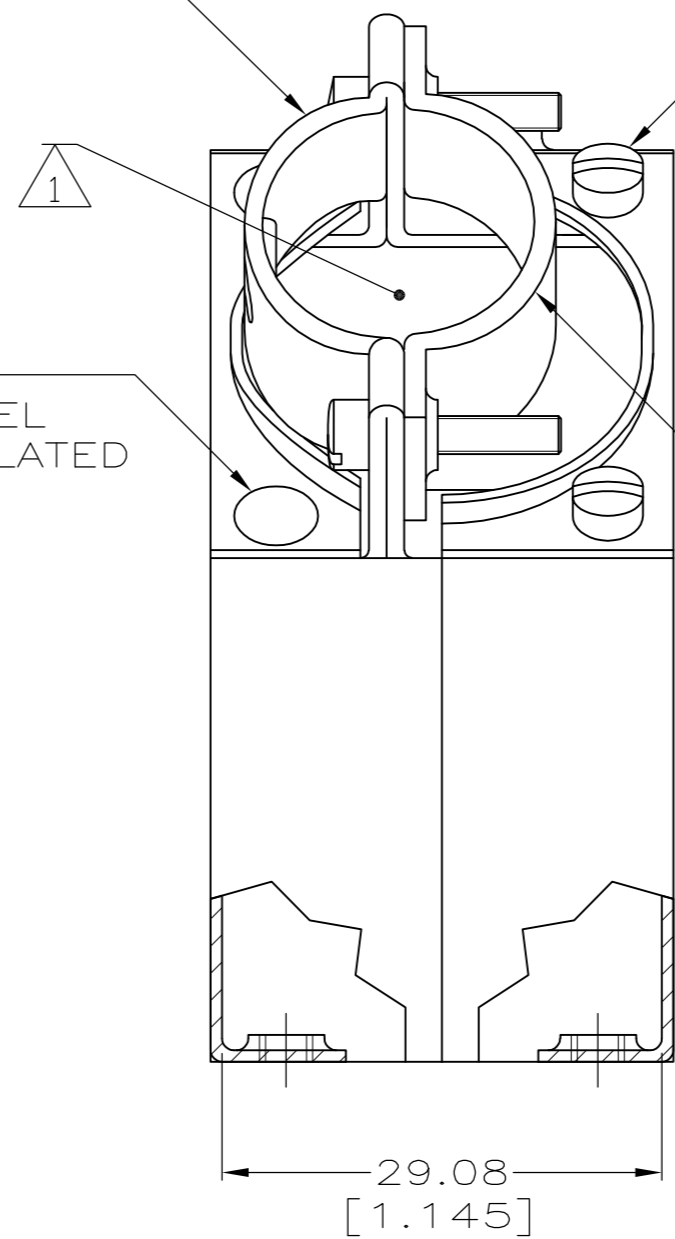
LOC	DIST	REVISIONS			
P	LTR	DESCRIPTION	DATE	DWN	APVD
	0				
	K2	REVISED PER ECO-08-028420	17NOV08	HMR	GS



FIXED CABLE CLAMP
 MATERIAL: STAINLESS STEEL
 1 EACH

RIVET
 MATERIAL: STEEL
 FINISH: NICKEL PLATED
 2 EACH

SHIELDS
 MATERIAL: CARBON STEEL
 FINISH: 5.08um [.000200] MIN NICKEL
 2 EACH



#4-40 UNC-2A SCREW
 MATERIAL: CARBON STEEL
 FINISH: $\triangle 2$ $\triangle 3$
 2 EACH

CABLE CLAMP
 MATERIAL: CARBON STEEL
 FINISH: 5.08um [.000200] MIN NICKEL
 1 EACH

$\triangle 3$	202169-4
$\triangle 2$	202169-1
SCREW FINISH	PART NUMBER

$\triangle 1$ ACCOMMODATES 22.86-25.40 [.900-1.000] DIAMETER CABLE.

$\triangle 2$ FINISH: ZINC WITH HEXAVALENT CHROMATE.

$\triangle 3$ FINISH: ZINC WITH NON-HEXAVALENT CHROMATE.

THIS DRAWING IS A CONTROLLED DOCUMENT.		DWN D.HARDY 10-25-94	Tyco Electronics Corporation Harrisburg, PA 17105-3608	
DIMENSIONS: INCHES		CHK R.STONE 10-27-94	NAME SHIELD KIT, UNASSEMBLED, 104 POSITION, M SERIES	
TOLERANCES UNLESS OTHERWISE SPECIFIED:		APVD -	PRODUCT SPEC -	RESTRICTED TO -
MATERIAL SEE CALLOUTS		FINISH SEE CALLOUTS	APPLICATION SPEC -	SIZE A2
0 PLC ± -		WEIGHT -	WEIGHT -	CAGE CODE 00779
1 PLC ± -		CUSTOMER DRAWING	SCALE 2:1	DRAWING NO 202169
2 PLC ± 0.38 [.015]		SCALE 2:1	SHEET 1 of 1	REV K2
3 PLC ± -				
4 PLC ± -				
ANGLES ± -				